



coffeeing the World

RLCROCKYD v.5
SPARE PARTS CATALOGUE

en-US

ROCKY DOSER



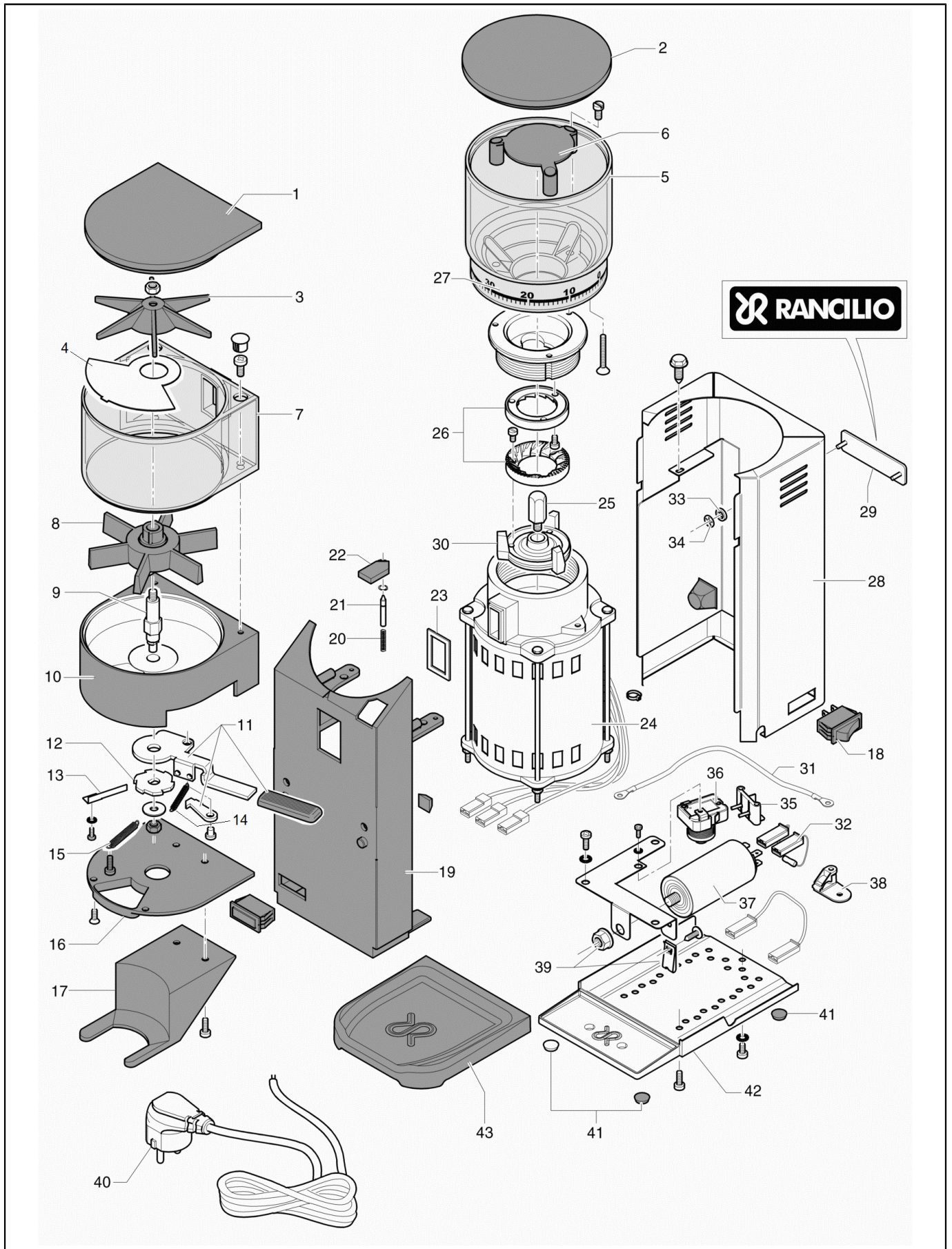
LINEA CASA



coffeeing the World

Index

Table 15000/08 - ROCKY.....	4
Alphanumeric index.....	6



POS.	CODE	DESCRIPTION	QTY	START DATE	END DATE	NOTES
1	38123034	COVER FOR ROCKY GRINDER	1			
2	38123033	ROCKY HOPPER COVER	1			
3	38123043	ROCKY UPPER STAR	1			
4	32329039	ROCKY COFFEE DIVIDER	1			
5	14705011	KIT COFFEE HOPPER	1			
6	38123040	ROCKY GRINDERS COVER	1			
7	10700225	SERBATOIO MACINATO ROCKY CON ADESIVO	1			
8	38123042	ROCKY LOWER STAR	1			
9	26212001	ROCKY MIXER PIN	1			
10	21202361	ROCKY DOSING MIXER BODY	1			
11	14705001	COMPLETE ROCKY LEVER FOR GRINDER	1			
12	32599004	ROCKY DOSING MIXER CAMS	1			
13	39220011	ROCKY CAM SPRING	1			
14	39220012	ROCKY DOSING SPRING	1			
15	39220013	ROCKY DOSING LEVEL SPRING	1			
16	38123030	COVER GRINDER ROCKY	1			
17	38123031	ROCKY FORK	1			
18	34030042	SWITCH	1			
19	21202372	ROCKY SUPPORT	1			
20	39120035	MD PIN Spring	1			
21	26105011	ROCKY PIN	1			
22	38123039	ROCKY BUSH STOP	1			
23	36301027	ROCKY GASKET	1			
24	34014083	MOTOR V110	1			
	34014084	MOTOR 230V	1			
25	26122001	Screw	1			
26	69000032	COUPLE GrinderS D50	1			
27	45010044	SELF-ADHESIVE	1			
28	10781355	KIT BACKSIDE ROCKY	1			
	34200347	FAIRLEAD ROCKY/10	1			
29	42200121	Rancilio Plate MM 70	1			
30	20114701	Lower Grinder Holder	1			
31	34352028	CABLE RED	1			
32	34200043	Resistance	1			
33	37900505	ROUND FIXER D3 H106	1			
34	36201006	Rubber Heat-Cup Washer	1			
35	34020106	MD80 Ciorc breaker CONNECT	1			
36	34020111	Ciorc breaker 110V MD40	1			
	34020112	Ciorc breaker 220V MD40	1			
37	34020022	ROCKY Capacitor 230V	1			
38	34200157	ROCKY CABLE LOCK	1			
39	37900808	Plate U-8/24/11	1			
40	34300085	CABLE with plug	1			
41	36310006	RUBBER FOOT	1			
42	38123677	BASE ABS	1			
43	38123678	COFFE' PICKER ABS	1			

Code	No. table	Pos.
10700225	15000/08	7
10781355	15000/08	28
14705001	15000/08	11
14705011	15000/08	5
20114701	15000/08	30
21202361	15000/08	10
21202372	15000/08	19
26105011	15000/08	21
26122001	15000/08	25
26212001	15000/08	9
32329039	15000/08	4
32599004	15000/08	12
34014083	15000/08	24
34014084	15000/08	24
34020022	15000/08	37
34020106	15000/08	35
34020111	15000/08	36
34020112	15000/08	36
34030042	15000/08	18
34200043	15000/08	32
34200157	15000/08	38
34200347	15000/08	28
34300085	15000/08	40
34352028	15000/08	31
36201006	15000/08	34
36301027	15000/08	23
36310006	15000/08	41
37900505	15000/08	33
37900808	15000/08	39
38123030	15000/08	16
38123031	15000/08	17
38123033	15000/08	2
38123034	15000/08	1
38123039	15000/08	22
38123040	15000/08	6
38123042	15000/08	8
38123043	15000/08	3
38123677	15000/08	42
38123678	15000/08	43
39120035	15000/08	20
39220011	15000/08	13
39220012	15000/08	14
39220013	15000/08	15
42200121	15000/08	29
45010044	15000/08	27
69000032	15000/08	26



ITALY

Rancilio Macchine per caffè S.p.A.
Viale della Repubblica 40
20010 Villastanza di Parabiago
Milano Italy
Tel +39 0331 408200
Fax +39 0331 551437
www.rancilio.it
info@rancilio.it

SPAIN

Rancilio Espana, s.a.
Gran Via de Carlos III, 84 3ª
Edificio Trade
08028 Barcelona Spain
Tel. +34 902 884 275
Tel. +34 934 923 414
Fax +34 93 496 57 01
www.rancilio.com
info@rancilio.es

PORTUGAL

RANCILIO PORTUGAL LDA
Estrada da Falagueira nº 68 E
2700-365 Amadora Portugal
Tel. +35 121 019 1091
Fax +35 121 019 1091
www.rancilio.com
info@rancilio.pt

USA

Rancilio North America Inc.
8102 S.Lemont Rd. #1200
Woodridge, IL 60517 USA
Tel +1 630 427 1703
Fax +1 630 427 1713
www.rancilio.com
info@rancilio-na.com

ASIA

Asian Market Access HK Ltd
601 Tak Woo House
17-19 D'aguilar Street Central
Hong Kong
Tel +852 2521 7839
Fax +852 2521 5787
www.rancilio.com

